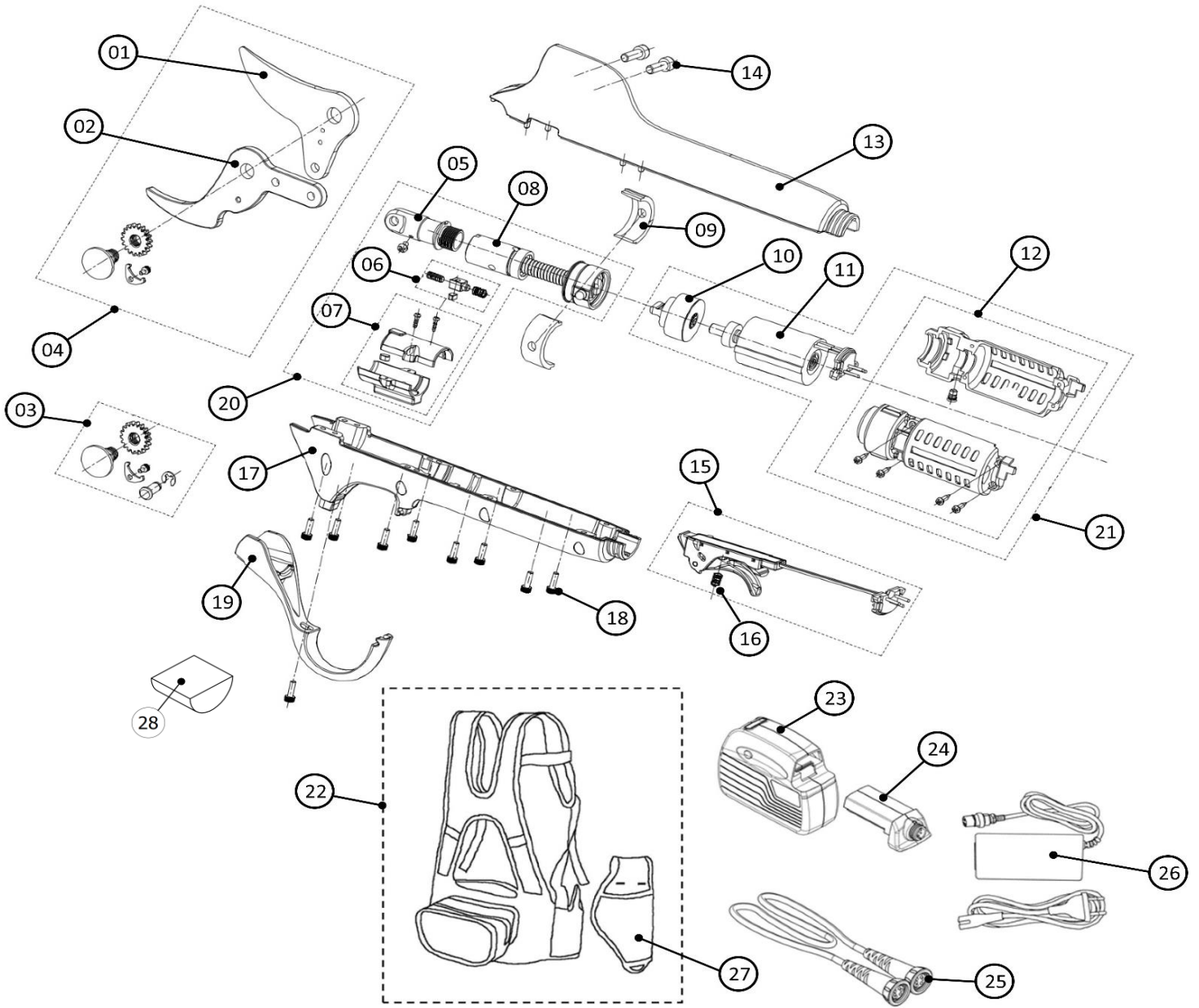


3. CORDED PRUNER WITH BACKPACK BATTERY MEDIUM cod. KV600 - KV600NB



3. CORDED PRUNER WITH BACKPACK BATTERY MEDIUM cod. KV600 - KV600NB

Posiz.	Cod.	Descrizione Articolo	Unità Macchina	Pz per Confez.	Note
1	KV600R15	MOVING BLADE Ø35 UP TO SERIAL NO. PM.0419.500.SY	1	1	
	KV600R44	MOVING BLADE Ø35 FROM SERIAL NO. PM.2419.001.SY	1	1	
	KV600R18	MOVING BLADE F35 XL888-35A FROM SERIAL NO. PM3520.001	1	1	
2	KV600R16	FIXED BLADE Ø35 TO SERIAL NO. PM.0419.500.SY	1	1	
	KV600R45	FIXED BLADE Ø35 FROM SERIAL NO. PM.2419.001.SY	1	1	
	KV600R19	FIXED BLADE F35 XL888-35B FROM SERIAL NO. PM3520.001	1	1	
3	KV600R35	BLADE FIXING SYSTEM KIT UP TO SERIAL NO. PM.0419.500.SY	1	1	
	KV600R50	BLADE FASTENING SYSTEM KIT FROM SERIAL NO. PM.2419.001.SY	1	1	
4	KV600R14	BLADE ASSEMBLY Ø35 UP TO SERIAL NO. PM.0419.500.SY	1	1	
	KV600R43	BLADE ASSEMBLY Ø35 FROM SERIAL NO. PM.2419.001.SY	1	1	
5	KV600R36	Blade drive rod	1	1	
6	KV600R37	Assembled magnet	1	1	
7	KV600R38	Drive screw cover	1	1	
8	KV600R39	Drive screw	1	1	
9	KV600R03K	Screw support kit (2-piece kit)	2	2	
10	KV600R40	Gearbox	1	1	
11	KV600R41	Electric motor	1	1	
12	KV600R42	Gear motor cover	1	1	
13	KV600R28	Top cover	1	1	
14	KV600R24K	M5x13.5 screw kit (10-piece kit)	2	10	
15	KV600R01	Trigger with wiring harness	1	1	
16	KV600R12K	Trigger spring kit (10-piece kit)	1	10	
17	KV600R29	Lower cover	1	1	
18	KV600R08K	M3x10 screw kit (20 piece kit)	9	20	
19	KV600R27	Trigger guard	1	1	
20	KV600R02	Worm gear assembly	1	1	
21	KV600R25	Gear motor	1	1	
22	KV600R31	KV600R70 battery backpack with holster	1	1	
23	KV600R70	Battery 44V - 4.4 Ah	1	1	
24	KV600R71	Controller for 44V 4.4 Ah battery	1	1	
25	KV600R30	Cable	1	1	
26	KV600R32	Battery charger	1	1	
27	KV500R32	Holster	1	1	
28	KV600R11K	Trigger sponge kit (5-piece kit)	1	5	
-	LUB200	Multipurpose PTFE spray grease 270cc - 12 pcs conf.	1	1	